

OXYGEN CONCENTRATOR
USER'S MANUAL

Table of contents

1. Introduction.....2
2. Important Safety Rules.....3
3. Getting Start.....5
4. Oxygen Concentrator illustration.....6
5. How To Operate Your Oxygen Concentrator.....7
6. Maintenance.....9
7. Troubleshooting.....10
8. Specification.....11
9. Limited Warranty.....12



Introduction

Thank you for purchasing our product UŠXĚÖF Oxygen Concentrator! This unit is a device that produces a nominal 1 liter per minute (LPM) 90% purity oxygen. The device plugs into a standard wall outlet and can be used most everywhere.

This User's manual will acquaint you with UŠXĚÖF Oxygen Concentrator. Should you have any question, your equipment provider will be happy to answer them for you. Make sure read and understand all the information contained in this guide before you operate your unit.

Important Safety Rules

When using electrical products, especially when children are present, basic safety precautions should always be followed. Read all instructions before using.

Important information is highlighted by these terms:

DANGER

Urgent safety information for hazards that will cause serious injury or death.

WARNING

Important safety information for hazards that might cause serious injury.

CAUTION

Information for preventing damage to the product.

NOTE

Information to which you should pay special attention.

DANGER

To reduce the risk of serious or fatal injury from electrical shock:

1. Do not use while bathing.
2. Do not place the product where can be splashed liquid or fall into bathtub, water or other liquid.
3. In the event of unit falling into water, do not reach for the unit, unplug immediately the send in to dealer or our authorized service center for examination or repair.

⚠ WARNING

1. Check the electric rating in the unit label and wall outlet before connecting power cord.
2. Keep all electrical cords away from heated surfaces.
3. Do not operate this unit if it:
 - has been dropped or knocked heavy.
 - has been splashed liquid.
 - has a damaged cord or plug.
 - is not working properly

⚠ WARNING

This device manufactures high levels of oxygen, which promotes rapid burning. Do not allow smoking or open flames within 5 feet of: (1) this device or (2) any oxygen carrying accessory. Use no oil, grease, or petroleum-based products on or near the unit. Disconnect the power cord from the electrical outlet before your clean or service the unit.

⚠ WARNING

If this unit is turned on but not in use ,do not leave the Headset under covering or chair cushions. The oxygen will make the material flammable. Set the on/off power switch to the off position when the Oxygen Concentrator is not in use.

⚠ WARNING

Electrical shock hazard. Do not remove cover! Only your dealer or our authorized technician should remove the cover.

⚠ WARNING

Do not use extension cords with this unit. Do not overload wall outlets.

⚠ CAUTION

DO not block the ventilation port located on the back of unit.

Getting Start

1. Open the unit packing, check the content and make sure the following components are enclosed:

- A. Oxygen Concentrator Unit
- B. Headset
- C. Headset Oxygen Tubing
- D. Air Intake Filter
- E. User's Manual
- F. Warranty Card

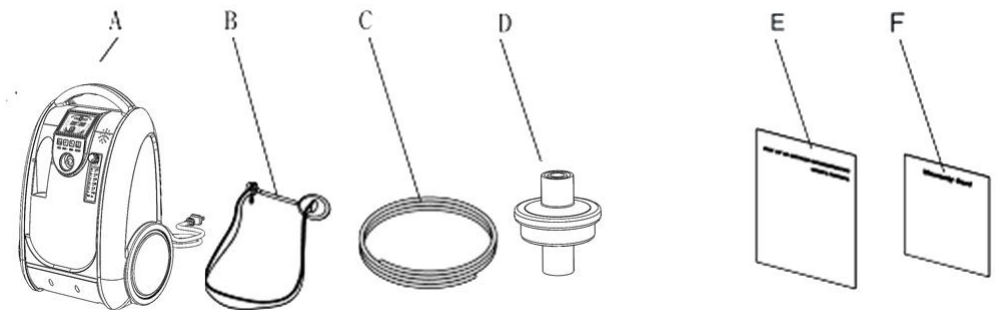


Figure 1

If there are missing items, please contact the dealer where you purchased your QNX/D3 Oxygen Concentrator.

2. Completely fill out the Warranty Card and mail.
3. Recommend to keep an extra piece of Cabinet Filter and Air Intake Filter on hand at all time. It will be convenient if Filters become soiled and have to be replaced.

OLV-B1 Oxygen Concentrator

1. O₂ On/Off Button
2. Time set+
3. Time set-
4. Anion On/Off
5. LED Monitor
6. Flow Meter Knob
7. Flow Meter
8. Humidifier Holder
9. Oxygen Outlet
10. Power Cord
11. Air Intake Cover
12. Intake filter

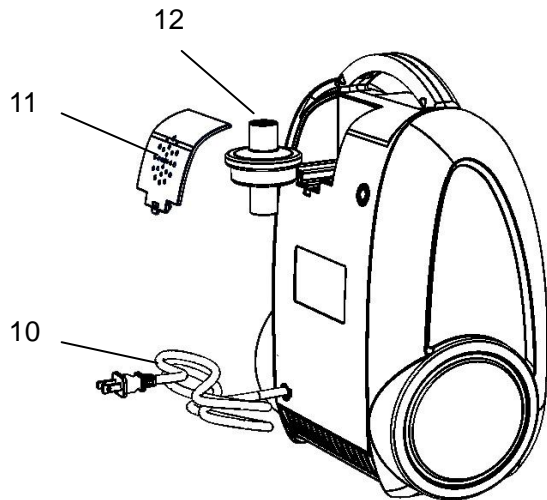
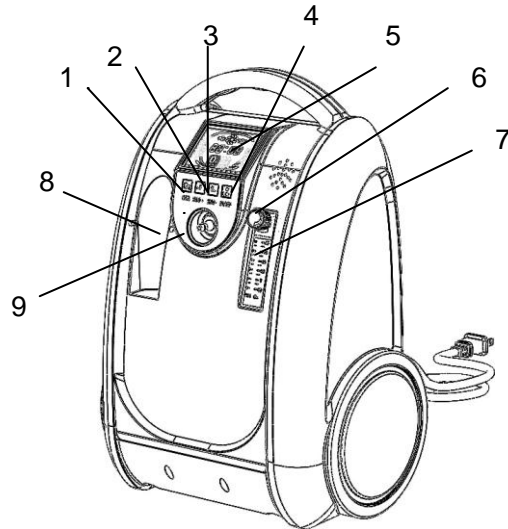


Figure 2

Figure 3

How to Operate Your OLV-B1 Oxygen Concentrator

1. Familiarize yourself with this unit.
2. Place unit on a stable flat surface which is clean and free of dust.
3. Plug power cord into electrical outlet.

⚠ NOTE

Before attempting to start a cold unit, let the unit reach room temperature in a heated area.

4. Press the O₂ On/Off button start the unit.

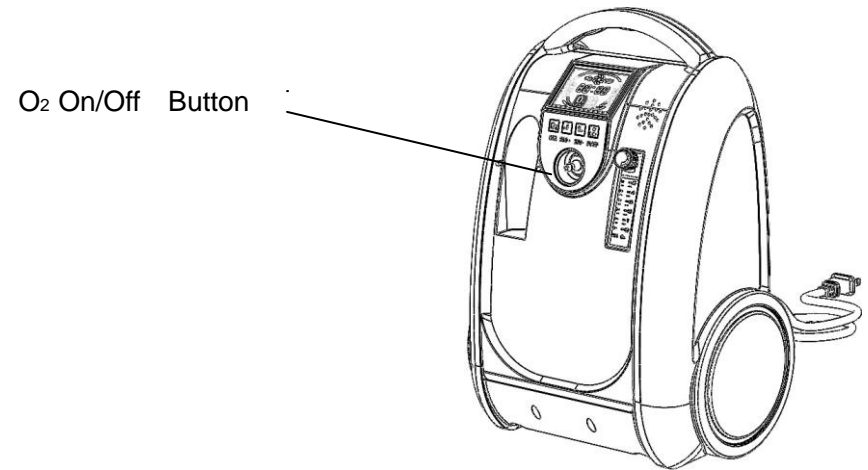


Figure 4

5. Set the running time by pressing the Time set +or- Button as following.
 - A. Press the Button Time set + first time that can increase running times .
 - B. Press the Button Time set - first time that can decrease running times .

- C. If do not anything, The unit will on the “continuous mode”
- D. Press the Button anion the unit will producing anion.

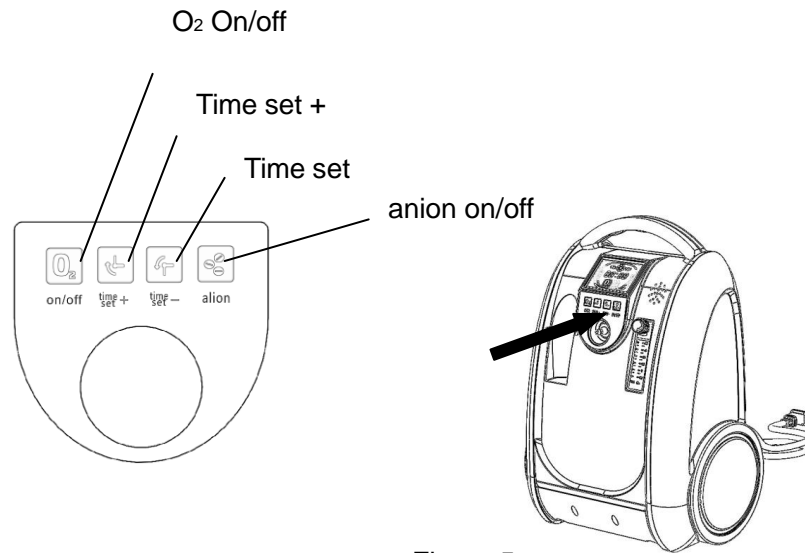


Figure 5

- 6. Connect the Headset oxygen Tubing to the Oxygen Outlet of Oxygen Concentrator Unit.

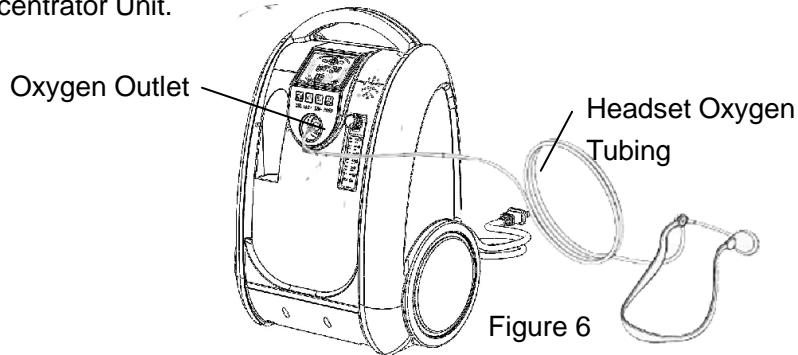


Figure 6

- 7. Put the Headset on ear and adjust it to adequate position.
- 8. When Unit run to the setting time, Unit will stop automatically.
- 9. If want to run the unit again, repeat the step 4-5.
- 10. If the Unit will not be used in a period of time, remove the power cord from electrical outlet.

Maintenance

⚠ DANGER

Electrical shock hazard.

Do not attempt to open or remove cabinet. If service is required, return unit to a qualified equipment provider or an authorized service center. Opening or tampering with the unit will void warranty.

⚠ DANGER

Electrical shock hazard.

Turn off the Unit and remove the Power Cord before maintenance.

Clean the Cabinet

1. Disconnect the Oxygen Concentrator Unit from all external power sources.
2. Wipe the cabinet with a clean cloth and any commercial (bacterial-germicidal) disinfectant.

Intake Filter Change

1. Disconnect the Oxygen Concentrator Unit from all external power sources.
2. Open the Air Intake Cover .
3. Take out the Air Filter.
4. Replace a new Air Filter.
5. Replace the intake Filter Cover.
6. Change Air Intake Filter every half years.

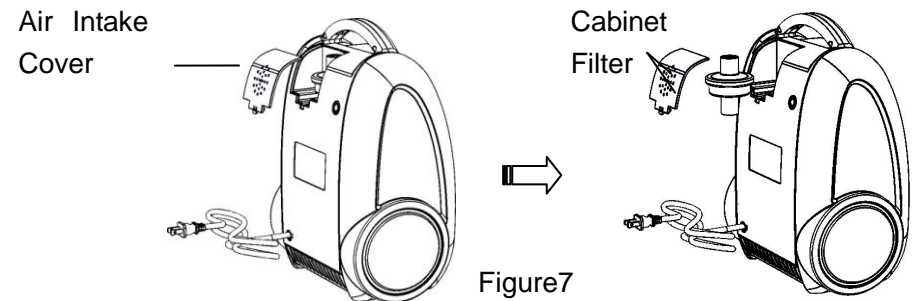


Figure 7

Troubleshooting

Your Oxygen Concentrator contains no user-serviceable parts. If you believe your unit is not working properly, **BEFORE YOU RETURN IT TO THE DEALER WHERE YOU PURCHASED IT**, please take a few moments to check for these possible causes:

PROBLEM	ACTION
Unit does not turn on.	<ol style="list-style-type: none"> 1. Check power sources and connections. 2. Ensure that the wall outlet is live. 3. Check power cord is not damage.
Motor runs, no oxygen	Verify all the connections of tubing
Limited Oxygen flow	<ol style="list-style-type: none"> 1. Check for broken tubing or tubing kinks. 2. Check voltage of wall outlet.
Unit Alarm	1. Remove the Unit to a well-ventilated place

OLV-B1 Specification

Weight:..... 5.4kg
Dimensions:.....(L)298 (W)195 (H)357mm
Electrical Requirements:..... AC220V/50Hz [; OFF EXP :
Power Wattage:..... 95 watts under normal load
Oxygen purity:.....40%@5L,60%@3L,90%@1L

Ambient operation

Temperature Range:.....50° to 95°F (10° to 35°C)
Humidity Range:.....30% to 75%

Transport/Storage

Ambient Temperature:.....-13° to 158°F (-25° to 70°C)
Humidity:.....10% to 90%

Warranty

One year limited warranty

The compressor portion of the UŠXĚŮF Oxygen Concentrator is warranted to be free from defective workmanship and materials for a period of one year from date of purchase.

Any defective part(s) will be repaired or replaced at XXXXX option if the unit has not been tampered with or used improperly during that period. Make certain that any malfunction is not due to inadequate cleaning or failure to follow the instructions. If repair is necessary, contact your UŠXĚŮF Equipment Provider for instructions.

NOTE

This warranty does not cover providing a loaner unit, compensating for costs incurred in rental while said unit is under repair, or costs for labor incurred in repairing or replacing defective part(s).

THESE IS NO OTHER EXPRESS WARRANTY. IMPLIED WARRANTIES, INCLUDING THOSE OF MERCHANTABILITY AND FITNESS FOR A PARTICULAR PURPOSE, ARE LIMITED TO THE DURATION OF THE EXPRESS LIMITED WARRANTY AND TO THE EXTENT PERMITTED BY LAW ANY AND ALL IMPLIED WARRANTIES ARE EXCLUDED. THIS IS THE EXCUUSIVE REMEDY AND LIABILITY FOR CONSEQUENTIAL AND INCIDENTAL DAMAGES UNDER ANY AND ALL WARRANTIES ARE EXCLUDED TO THE EXTENT EXCLUSION IS PERMITTED BY LAW. SOME STATES DO NOT ALLOW LIMITATIONS ON HOW LONG AN IMPLIED WARRANTY LASTS, OR THE LIMITATION OR EXCLUSION OF CONSE QUENTIAL OR INCIDENTAL DAMAGES, SO THE ABOVE LIMITATION OR EXCLUSION MAY NOT APPLY TO YOU.

This warranty gives you specific legal rights, and you may also have other rights, which vary from state to state.

*CHILDREN AGE FIVE YEARS AND BELOW SHOULD SEEK DOCTOR'S ADVISE BEFORE USING UŠXĚŮF OXYGEN CONCENTRATOR.
*MAXIMUM USAGE FOR ALL PEOPLE OF ALL AGES SHOULD NOT EXCEED TWO HOURS PER DAY.

Manufacturer's Note

Thank you for choosing a UŠXĚŮF Oxygen Concentrator. We want you to be a satisfied customer. If you have any questions or comments, please send them to our address on the back cover.

For Service Call Your Authorized
UŠXĚŮF Equipment Provider:

Phone: _____

Purchase Date: _____

Serial#: _____

Company address: